

A heated towel rail made from round curved tubes and handtowel shelves.

Its original shape encourages you to enter: in fact, the largest model even has a metal seat.

Once inside, the warmth gently caresses you: an important accessory for the bathroom.

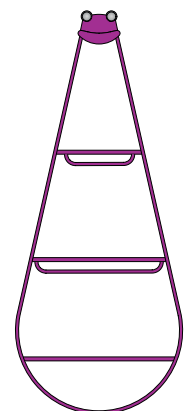
DIMENSIONS

Width 50 / 60 / 75 cm
 Height 110 / 145 / 185 cm
 Depth 20 / 26 / 40 cm
 Depth from wall 24 / 30 / 40 cm



MODEL	HP cm	white sablé standard €	EN 442		▲ ▽ t.c. cm	Height H cm	Width L cm	Weight		Towel bar on request cm
			Δt 50 K watt	Δt 30 K watt				M Kg	V dm³	
ALCOVA	100-20	800,70	591	311	9,3	110	50	8,7	2,12	30
ALCOVA	100-26	870,20	768	404	9,3	110	50	11,3	2,76	30
ALCOVA	145-20	1018,50	737	388	9,3	145	60	12,1	2,73	30 and/or 50
ALCOVA	145-26	1118,10	951	500	9,3	145	60	15,8	3,55	30 and/or 50
ALCOVA	185-20	1237,90	948	499	9,3	185	75	13,3	3,50	30 and/or 50
ALCOVA	185-26	1370,70	1232	648	9,3	185	75	17,1	4,56	30 and/or 50
ALCOVA	*185-40	1428,80	1232	648	9,3	185	75	19,2	4,56	30

*model with seat: maximum load 95 kg Δt 40K = Watt Δt 50Kx0,755 Electric and mixed versions not available



BEFORE ORDERING, PLEASE CHECK
 THE REQUIRED PRESSURE AND THE
 WORKMANSHIP OF THE CIRCUIT. (WATCH
 OUT FOR THE "SIPHON" EFFECT, PAGE 3)

HANDLE for towel welded
 under the shelf at the front
 L 30 cm Art. MA3 47,60 €
 L 50 cm Art. MA5 55,30 €

MINIMUM OPERATING PRESSURE 1,5 BAR
 MAXIMUM OPERATING PRESSURE 8 BAR

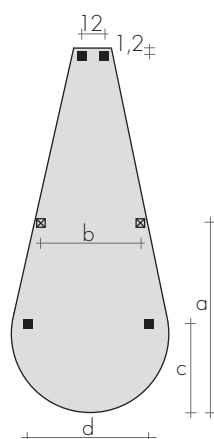
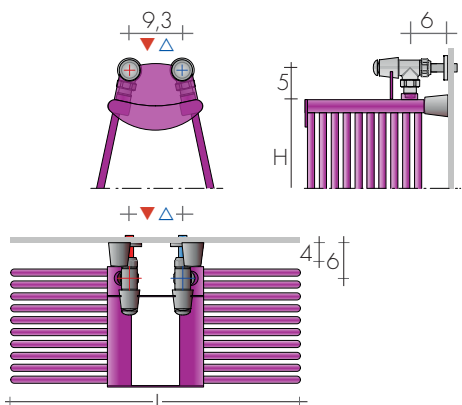
STANDARD PRODUCTION
 White sablé paintwork - M4B brackets
 Tolerance ±3 mm - Air valve ø 1/8"

PRODUCTION ON REQUEST
 Paintwork to Brem color list with
 colored B35 brackets +15/25%

STANDARD FITTING
 HK ø 1/2"
 Check circuit flow rate and pressure



TAPPING CENTRES



FIXINGS
M4 brackets
included

ALCOVA h 185 cm

Mod. H	a cm	b cm	c cm	d cm
100 - ..	-	-	14	38
145 - ..	-	-	14,8	45,2
185 - ..	93,1	47	20,4	59,9
*185 - ..	78,6	54	19,1	27,5



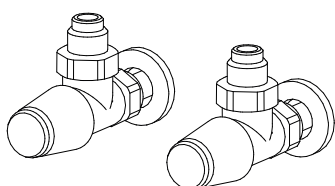
ALCOVA 185-40

RECOMMENDED VALVES

CHROME PLATED VALVES KIT WITH:

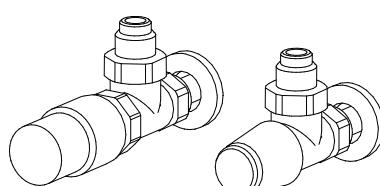
- n°2 Valves with O-ring Tangs
- n°2 Fittings (multilayer ø16, copper ø12,14)
- n°2 Round washers

On request: Polished stainless tube cover
(to be cut to right size) Art. CA18 10,80€

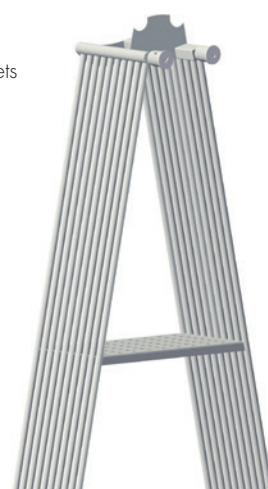


ANGLED MINI VALVES KIT page 278
chrome-plated or white color Art. KMS 107,80€

REMOTE FITTINGS, NOT AVAILABLE



M4 brackets



ANGLED TON VALVES KIT
page 277

Art. KVS 119,20€

ANGLED TON VALVES KIT with
THERMOSTATIC head Art. KTS 165,50€