

# CHEM-M

PRICE FROM 01.03.2026 +5%

design Davide Diliberto

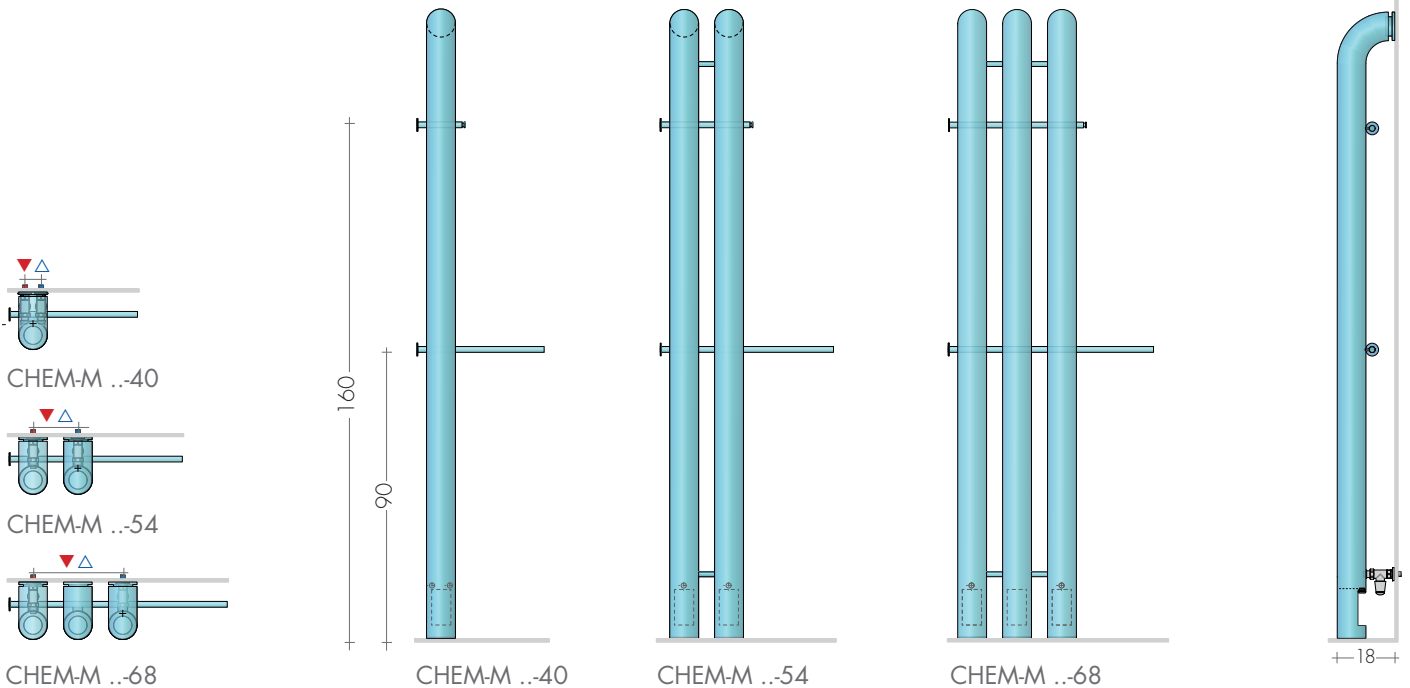
CHEM-M is a towel holder made of 9cm diameter round tubes with the top section curved towards the wall. Available in different heights, it is completed with a

reversible towel rail and a double hook for bathrobes.

## DIMENSIONS

Width: da 9 a 93cm  
 Height: 96 /196 /216 /236 cm  
 Depth: 18 cm  
 Depth from wall: 18 cm

FRENCH  
 DESIGN AWARDS



MODEL	H/L cm	Standard white sablé SB 9016 €	EN 442			▲▼ t.c. cm	Height H cm	Width L cm	Weight M Kg	Volume V dm <sup>3</sup>	DUAL FUEL VERSION with E.H.E. * and sleeve	
			Δt 50K watt	Δt 40K watt	Δt 30K watt						Watt	€
CHEM-M	196-40	752,60	326	250	177	5	196	40	10,6	5,1	300	127,40
CHEM-M	196-54	987,80	655	502	355	14	196	54	21,0	10,2	650	129,60
CHEM-M	196-68	1229,00	984	754	533	28	196	68	31,5	15,3	900	140,20
CHEM-M	216-40	787,90	367	281	199	5	216	40	11,7	5,7	400	136,60
CHEM-M	216-54	1040,80	737	565	399	14	216	54	23,2	11,4	800	136,60
CHEM-M	216-68	1299,50	1107	848	600	28	216	68	34,8	17,1	1200	148,50
CHEM-M	236-40	823,20	408	313	221	5	236	40	12,8	6,4	400	127,40
CHEM-M	236-54	1093,70	819	627	444	14	236	54	25,4	12,8	900	140,20
CHEM-M	236-68	1370,10	1230	942	667	28	236	68	38,1	19,2	1200	148,50

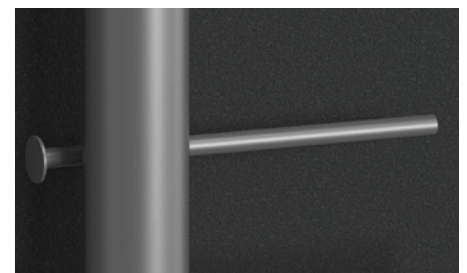
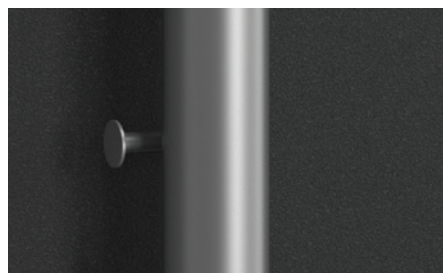
On request elements with heights 206, 226. Prices and yields by interpolation.

\*E.H.E. only with cable  
 Wall-mounted thermostats p.208

Towel holder and hanger can be mounted to the left or right side.

Towel holder and hanger: STANDARD COLORS  
 - white sablé SB 9016 - quartz grey SB 7039  
 - black sablé SB 9005 - same color as the radiator

In one paintwork to Brem color list different from the radiator  
 Extra 52,90€



## STANDARD PRODUCTION

White sablé SB9016 paintwork with brackets  
 Tolerance ± 3mm - Air vent ø 1/8"  
 MAXIMUM OPERATING PRESSURE 8 BAR

## PRODUCTION ON REQUEST

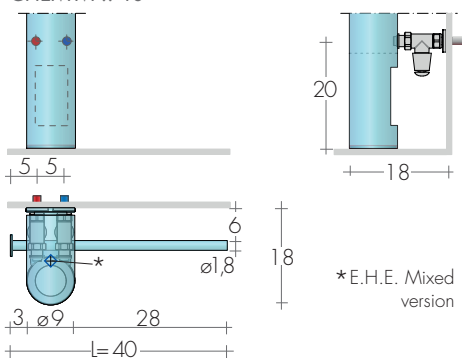
Paintwork to Brem color list with colored brackets  
 +15/25%  
 Electric version, e.Chem-M p.214

STANDARD FITTING EG ø 1/2", on the back of the tube with straight valves.  
 On request: side connections with angle valves.

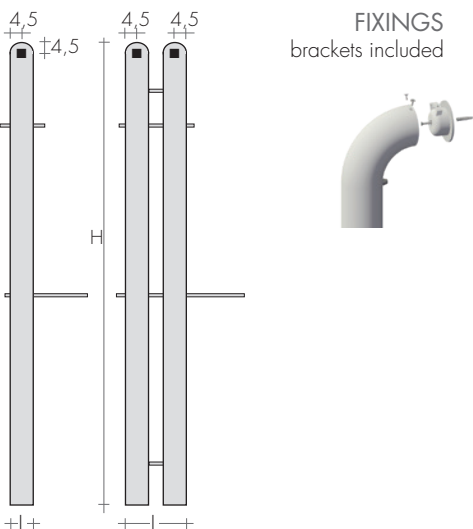
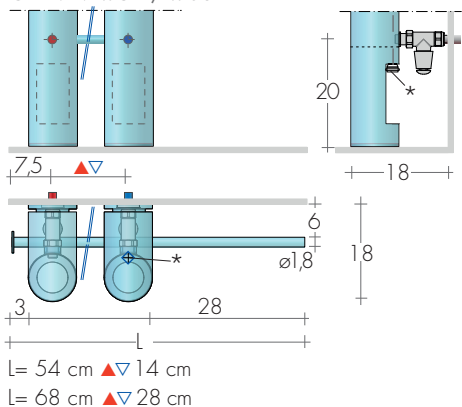


## TAPPING CENTRES

### CHEM-M ..-40



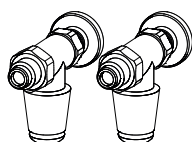
### CHEM-M ..-54 / ..-68



## RECOMMENDED VALVES

### CHROME VALVES KIT with:

- n°2 Valves with tailpieces
- n°2 Fittings (multilayer ø 16, copper ø 12, 14)
- n°2 Chrome wall plates ø 48, hole ø 16



### KIT STRAIGHT VALVES TON

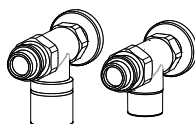
page 269

Art. KVD 149,30€

### STRAIGHT MINI VALVES KIT chrome-plated

page 270

Art. KMD 136,90€



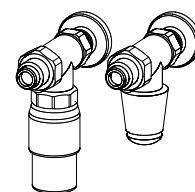
### KIT STRAIGHT VALVES CYL with THERMOSTATIC

option, page.273

Art. KCD 158,80€

Extra for BREM color list

53,40€



### KIT STRAIGHT VALVES TON with THERMOSTATIC

Head, page 273

Art. KTD 202,40€

### SPECIAL FINISHES

page 267

Finishes Gold, Bronze, Brushed Nickel for 2 valves

Brushed Nickel FITTING KIT extra Art. RN 30,50€