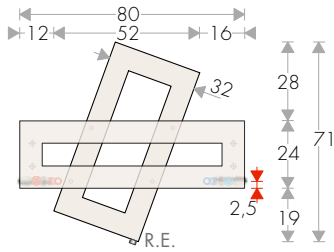
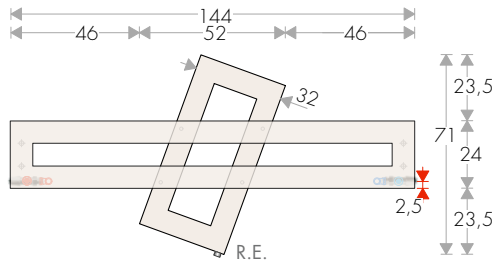


DATI TECNICI CROSS-R/RV

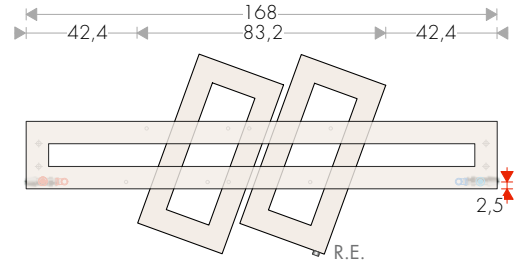
INTERASSE ATTACCHI E FISSAGGI



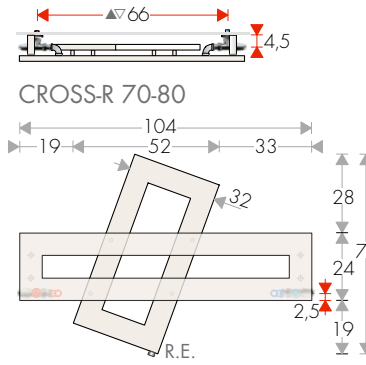
CROSS-R 70-80



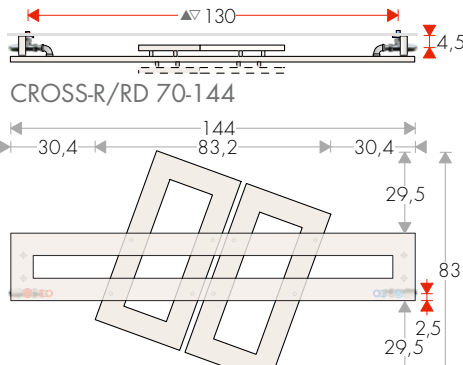
CROSS-R/RD 70-144



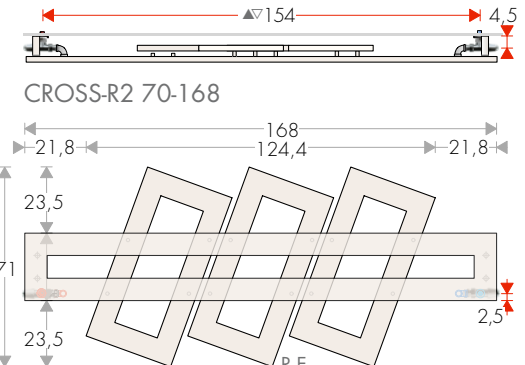
CROSS-R2 70-168



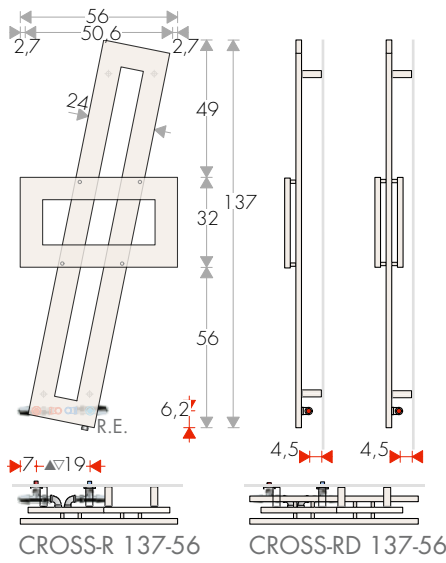
CROSS-R/RD 70-104



CROSS-R2 83-144

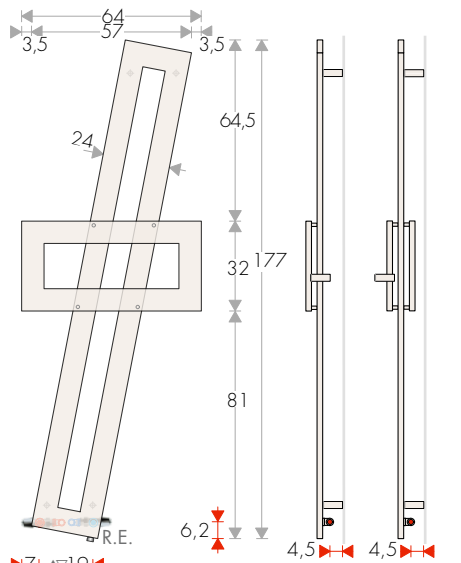


CROSS-R3 70-168



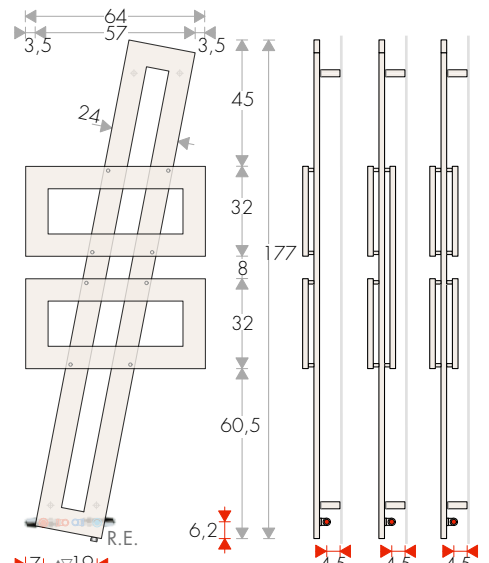
CROSS-R 137-56

CROSS-RD 137-56



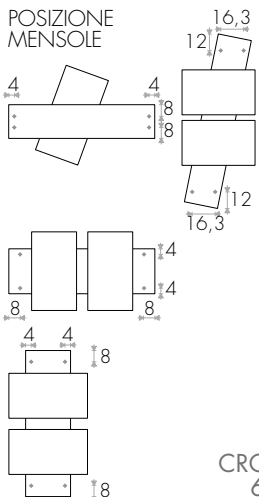
CROSS-R 177-64

CROSS-RD 177-64

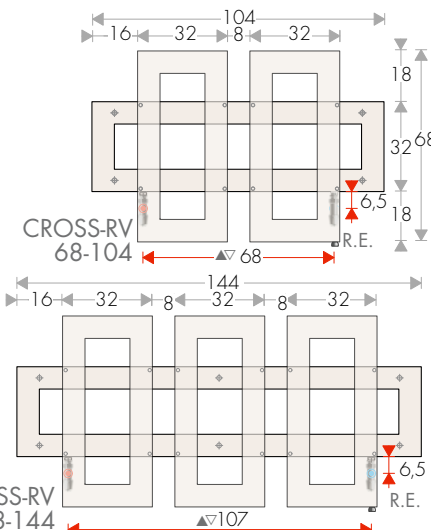


CROSS-2R 177-64
CROSS-3R 177-64
CROSS-4R 177-64

RE: Manicotto per Resistenza Elettrica (a richiesta)

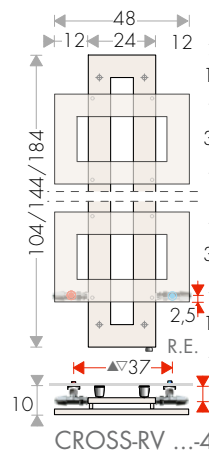


POSIZIONE MENSOLE

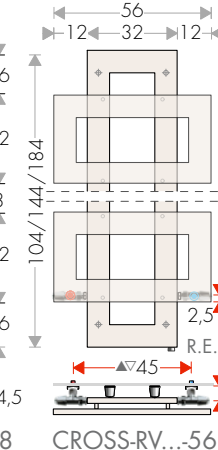


CROSS-RV 68-104

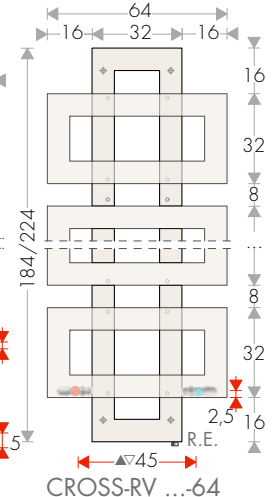
CROSS-RV 68-144



CROSS-RV ...-48



CROSS-RV ...-56



CROSS-RV ...-64