

GRAFFI wellcomes the moon and becomes GRAFFI DI LUNA, where furrows leave room to a smooth, rising moon.

### BREM'ART CREATIONS (page I)

Standard "sablé" colors recommended by the artist, other colors on request.

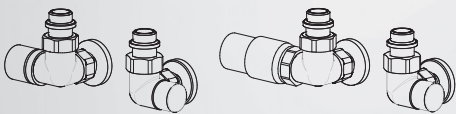
Other Ral colors in the sablé finish only on request.



## RECOMMENDED VALVES (pag.II)

CHROME VALVES KIT with:

n°2 Valves with tang, n°2 Fittings (multilayer ø16, copper ø12, 14), n°2 wall plates ø 48, hole ø16



STANDARD FITTING EG ø 1/2"

Tapping centres ▲▼ L- 15 cm

Special fittings page 278



GRAFFI DI LUNA 187-45

CYL Valve with THERMOSTATIC Head

### ELECTRIC VERSION

MODEL'25	Standard	KIT RE/KIT RT p.208
H - L	color	Câble R..E/Faston R..T
cm	€	Art. (WV) €
GUH 180-36	2095,20	R800II.. 240,50
GUH 180-45	2217,00	R900II.. 255,30
GUH 200-54	2409,60	R1200II.. 276,30
GULH 180-45	2564,70	R1200II.. 276,30
GULH 180-54	2731,30	R1500II.. 298,00

Es: GUH 180-45 2217,00€ + Kit electric R900II.. + Thermostat pag. 208-209

ON REQUEST (H=7cm, depth f/wall 5,8cm) pag.II

- FITTINGS EG ▲▼ L- 4 cm with visible valves.

- REMOTE FITTINGS ▲▼ L- 6 cm; Valves pag.274

MODEL'25	L cm	36	45	54	63	72
H cm	▲▼cm	32	41	50	59	57
GUH 187 €		2095,20	2217,00	2343,20	2467,90	2589,30
		713w	887w	1061w	1233w	1407w
GULH 187 €		2425,80	2564,70	2731,30	2884,00	3036,00
		909w	1181w	1453w	1723w	1996w
GUH 207 €		2155,90	2286,40	2409,60	2538,80	2666,50
		792w	985w	1178w	1369w	1562w
GULH 207 €		2535,10	2697,20	2871,80	3024,10	3186,60
		1011w	1313w	1616w	1916w	2219w
GUH 227 €		2226,60	2361,90	2512,30	2636,00	2771,30
		870w	1082w	1294w	1504w	1716w
GULH 227 €		2597,60	2765,50	2946,60	3104,50	3272,30
		1112w	1445w	1778w	2109w	2441w

BREM colors list page 281

Technical data B'A Panels page II

The Brem'Art panels are built with a thickness of only 2,3cm. The valves can be hidden thanks to the higher cover.

The connections behind the cover allow the thermostatic head, partially visible, to operate by detecting the room temperature.

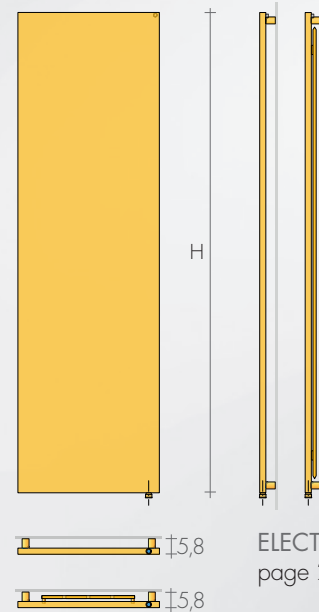
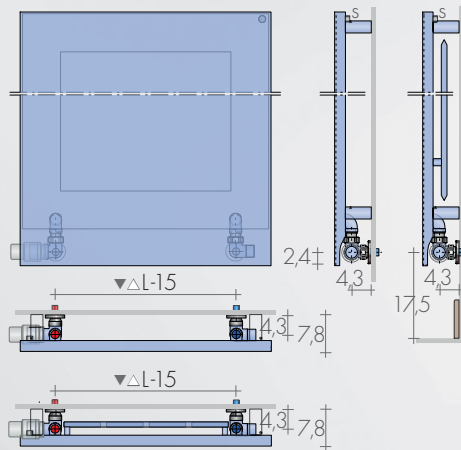
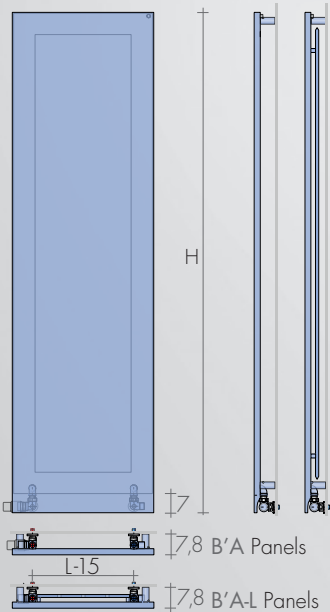
The electric version is produced with heights 180 and 200 cm and a protrusion of only 5.8 cm because of electrical devices.

## DIMENSIONS HYDRAULIC VERSION

Height 187-207-227 cm  
Width 36-45-54-63-72 cm  
Depth 4.8-5.0cm  
Depth from wall 7.8 cm

## DIMENSIONS ELECTRIC VERSION

Height 180-200 cm  
Width 36-45-54 cm  
Depth 2.3-4.3 cm  
Depth from wall 5.8 cm



## STANDARD PRODUCTION

Tolerance  $\pm 3$ mm - Air vent  $\varnothing 1/8"$   
MAXIMUM OPERATING PRESSURE 4 BAR

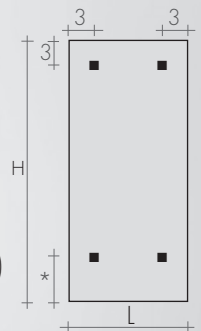
## STANDARD FITTING EG $\varnothing 1/2"$

B'A: Brem'Art panels  
Tapping centres  $\nabla \Delta$  L-15 cm



## FIXINGS

Brackets included  
Mod. Hydraulic B55 (\*10)  
Mod. Electric B35 (\*3)



## RECOMMENDED VALVES

Nickel-plated TON valves, raccords and handwheels



SIDE CONTROL TON VALVES KIT nickel-plated  
easy control and chrome-plated handwheel

Art. KVLN 104,80€

KIT VALVOLE nichelate TON comando LATERALE,  
testa TERMOSTATICA, Art. KTLND 143,80€

SIDE CONTROL TON VALVES KIT chrome  
page 269 Art. KVL 150,50€

SIDE CONTROL TON VALVES KIT chrome with  
thermostatic Head, p.269 Art. KTLD 203,70€

## CHROME VALVES KIT with:

- n°2 Valves with tailpieces, Fittings (multilayer  $\varnothing 16$ ,  
copper  $\varnothing 12-14$ ) and Wall plates  $\varnothing 48$ , hole  $\varnothing 16$

Chrome-plated valves with painting supplement



SIDE CONTROL CYL Valves KIT with THERMO-  
STATIC option, page 273 Art. KCLD 162,50€

SIDE CONTROL CYL Valves KIT chrome with  
thermostatic Head, p.269 Art. KTLD 192,60€

VALVES KIT PAINTED in a color from the Brem color  
EXTRA Art. VC 53,40€

COLORS THERMOSTATIC HEAD pag.266

## FITTINGS KIT SPECIAL FINISHES for colored valves pag.266

(cone, raccord, washer in  
Or, Bronze, brushed nickel



KIT Fittings brushed Nickel Extra Art. RN 30,50€

## ON REQUEST

Heights (H+7cm) and depth 5.5cm as in electric models,  
are available for B'A panels with special fittings :

- FITTINGS EG  $\nabla \Delta$  L-4 cm with visible valves

- REMOTE FITTINGS Art. REM 42,10€

Tapping centres: rear of radiator  $\nabla \Delta$  L-6cm

DISTANT Valves page 274

