

GRAFFI has a merely furrow form surface. This gave birth to a radiator that creates very particular atmosphere, where light and color play an important role. Each piece is hand-made, than unique.

BREM'ART CREATIONS (page I)

Standard "sablé" colors recommended by the artist.

Other Ral colors in the sablé finish only on request.

ESECUZIONI BREM'ART (pag.I)

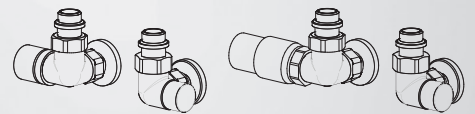
Colori sablé tabella Brem, consigliati dall'artista.

Altri colori Ral nella sola finitura sablé a preventivo.

Other Ral colors in the sablé finish only on request.

RECOMMENDED VALVES (pag.II)

CHROME VALVES KIT with:
n°2 Valves with tang, n°2 Fittings (multilayer ø16, copper ø12, 14), n°2 wall plates ø 48, hole ø16



STANDARD FITTING EG ø 1/2"
Tapping centres ▲▽ L - 15 cm
Special fittings page 278



CYL REMOTE Valves

MODEL'25	H cm	L cm	EN 442 Watt Δt 50K (Δt 40K = Wx0,755) - (Δt 30K = Wx0,526)					
			▲▽cm	36	45	54	63	72
GFH	187	€	2005,60	2121,80	2242,40	2361,50	2477,30	
			713w	887w	1061w	1233w	1407w	
GFLH	187	€	2336,20	2469,50	2630,50	2777,60	2924,00	
			909w	1181w	1453w	1723w	1996w	
GFH	207	€	2066,30	2191,20	2308,80	2432,40	2554,50	
			792w	985w	1178w	1369w	1562w	
GFLH	207	€	2445,50	2602,00	2771,00	2917,70	3074,60	
			1011w	1313w	1616w	1916w	2219w	
GFH	227	€	2137,00	2266,70	2411,50	2529,60	2659,30	
			870w	1082w	1294w	1504w	1716w	
GFLH	227	€	2508,00	2670,30	2845,80	2998,10	3160,30	
			1112w	1445w	1778w	2109w	2441w	

BREM colors list page 281

Technical data B'A Panels page II

ELECTRIC VERSION

MODEL'25	H - L cm	Standard color €	KIT RE /KIT RT p.208	
			Cable R..E /Faston R..T Art. (W) €	
GFH	180-36	2005,60	R800II..	240,50
GFH	180-45	2121,80	R900II..	255,30
GFH	200-54	2308,80	R1200II..	276,30
GFLH	180-45	2469,50	R1200II..	276,30
GFLH	180-54	2630,50	R1500II..	298,00

REMOTE FITTINGS (H=7cm) page II
DISTANT Valves page 274



Panels: BREM'ART

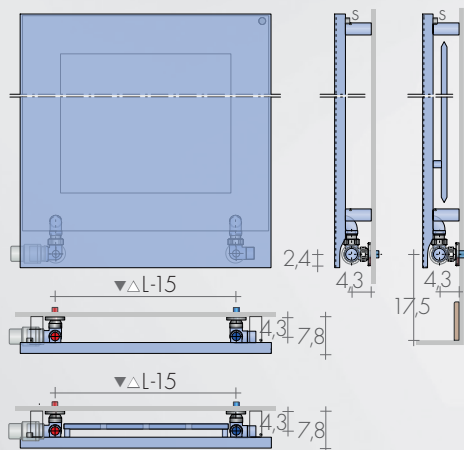
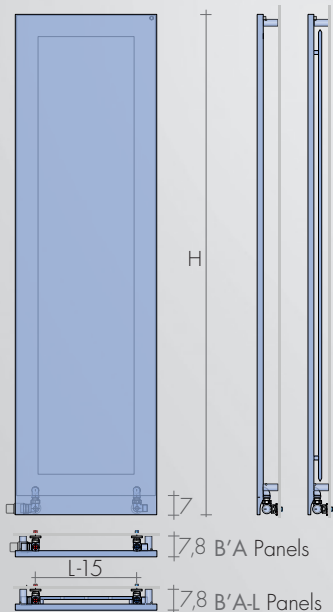
The Brem'Art panels are built with a thickness of only 2,3cm. The valves can be hidden thanks to the higher cover.

The connections behind the cover allow the thermostatic head, partially visible, to operate by detecting the room temperature.

The electric version is produced with heights 180 and 200 cm and a protrusion of only 5.8 cm because of electrical devices.

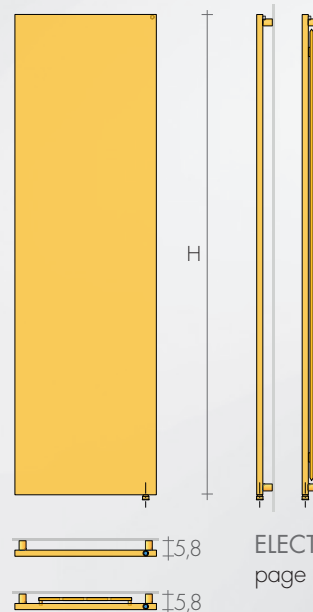
DIMENSIONS HYDRAULIC VERSION

Height 187-207-227 cm
Width 36-45-54-63-72 cm
Depth 4.8-5.0cm
Depth from wall 7.8 cm



DIMENSIONS ELECTRIC VERSION

Height 180-200 cm
Width 36-45-54 cm
Depth 2.3-4.3 cm
Depth from wall 5.8 cm



STANDARD PRODUCTION

Tolerance ± 3 mm - Air vent $\varnothing 1/8"$
MAXIMUM OPERATING PRESSURE 4 BAR

STANDARD FITTING EG $\varnothing 1/2"$

B'A: Brem'Art panels
Tapping centres $\nabla \Delta L-15$ cm



FIXINGS

Brackets included
Mod. Hydraulic B35 (*3)
Mod. Electric B55 (*10)



RECOMMENDED VALVES

Nickel-plated TON valves, raccords and handwheels



SIDE CONTROL TON VALVES KIT nickel-plated
easy control and chrome-plated handwheel

Art. KVLN 104,80€

KIT VALVOLE nichelate TON comando LATERALE,
testa TERMOSTATICA, Art. KTLND 143,80€

SIDE CONTROL TON VALVES KIT chrome
page 269 Art. KVL 150,50€

SIDE CONTROL TON VALVES KIT chrome with
thermostatic Head, p.269 Art. KTLD 203,70€

CHROME VALVES KIT with:

- n°2 Valves with tailpieces, Fittings (multilayer $\varnothing 16$,
copper $\varnothing 12-14$) and Wall plates $\varnothing 48$, hole $\varnothing 16$

Chrome-plated valves with painting supplement



SIDE CONTROL CYL Valves KIT with THERMO-
STATIC option, page 273 Art. KCLD 162,50€

SIDE CONTROL CYL Valves KIT chrome with
thermostatic Head, p.269 Art. KTLD 192,60€

VALVES KIT PAINTED in a color from the Brem color
EXTRA Art. VC 53,40€

COLORS THERMOSTATIC HEAD pag.266

FITTINGS KIT SPECIAL FINISHES for colored valves pag.266

(cone, raccord, washer in
Or, Bronze, brushed nickel



KIT Fittings brushed Nickel Extra Art. RN 30,50€

ON REQUEST

Heights (H+7cm) and depth 5.5cm as in electric models,
are available for B'A panels with special fittings :

- FITTINGS EG $\nabla \Delta L-4$ cm with visible valves

- REMOTE FITTINGS Art. REM 42,10€

Tapping centres: rear of radiator $\nabla \Delta L-6$ cm

DISTANT Valves page 274

