

design Luigi Brebbia

HERG is a new radiator with parallel steel fins rising from the floor up to the ceiling and

set at a distance of either 50 or 80 mm, as requested. It features large rectangular tubes

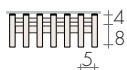
arranged in regular patterns altering the heat output depending on their step and height.

DIMENSIONS

Height: 180/200/220/240/260/280 cm
Width: from 17 to 106 cm
Depth: 12 cm
Depth from wall: 12 cm

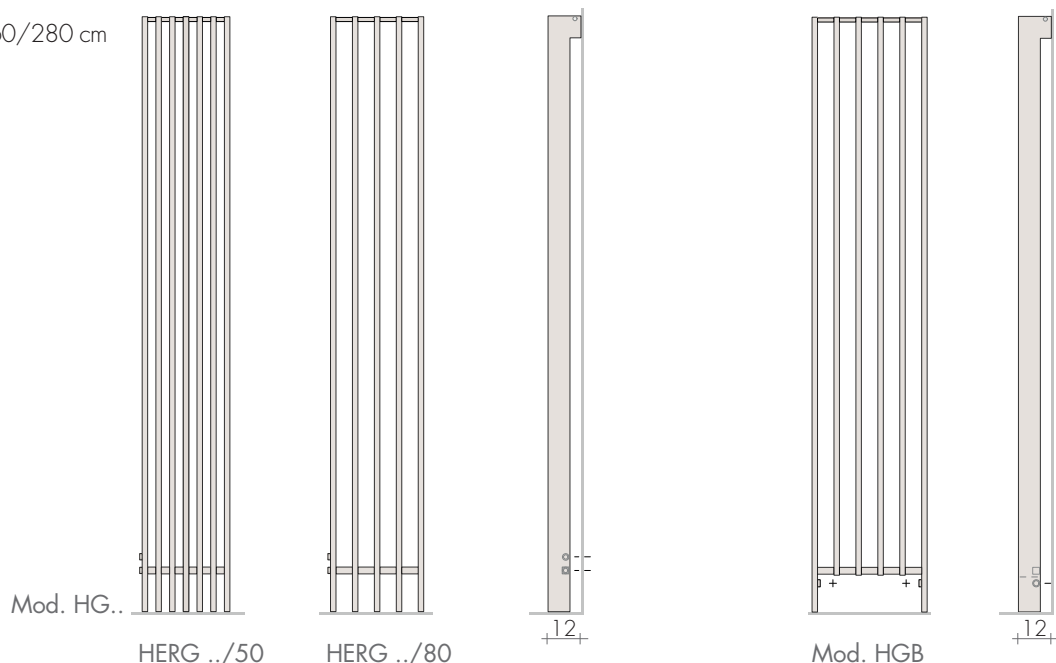
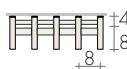
ELEMENT STEP 50

$L = n^{\circ} \text{el.} \times 5 \text{ cm step} - 3 \text{ cm}$



ELEMENT STEP 80

$L = n^{\circ} \text{el.} \times 8 \text{ cm step} - 6 \text{ cm}$



MOD.	n° elements	EN 442 Watt Δt 50K (Δt 40K = $W \times 0,755$) (Δt 30K = $W \times 0,526$)																											
		4		5		6		7		8		9		10		11		12		13		14							
		step mm /50 /80		/50 /80		/50 /80		/50 /80		/50 /80		/50 /80		/50 /80		/50 /80		/50 /80		/50 /80		/50 /80							
		L cm	L cm	L cm	L cm	L cm	L cm	L cm	L cm	L cm	L cm	L cm	L cm	L cm	L cm	L cm	L cm	L cm	L cm	L cm	L cm	L cm							
		H cm	H cm	H cm	H cm	H cm	H cm	H cm	H cm	H cm	H cm	H cm	H cm	H cm	H cm	H cm	H cm	H cm	H cm	H cm	H cm	H cm							
HG180/..	177	5	€ 655,10	746,30	837,40	928,60	1019,80	1111,00	1202,20	1293,30	1384,40	1475,70	1566,90																
	w	540	638	675	798	810	957	945	1117	1080	1276	1215	1436	1350	1595	1485	1755	1620	1914	1755	2074	1890	2233						
HG200/..	197	5	€ 684,00	778,70	873,50	968,40	1063,10	1158,00	1252,60	1347,50	1442,20	1537,00	1631,70																
	w	601	710	751	888	901	1065	1051	1243	1202	1420	1352	1598	1502	1775	1652	1953	1802	2130	1953	2308	2103	2485						
HG220/..	217	5	€ 712,90	811,30	909,60	1008,00	1106,40	1204,80	1303,20	1401,50	1499,90	1598,40	1696,70																
	w	662	782	828	978	993	1173	1159	1369	1324	1564	1490	1760	1655	1955	1821	2151	1986	2346	2152	2542	2317	2737						
HG240/..	237	5	€ 741,80	843,80	945,70	1047,80	1149,70	1251,70	1353,60	1455,70	1557,60	1659,60	1761,50																
	w	723	854	904	1068	1084	1282	1265	1495	1446	1709	1626	1922	1807	2136	1988	2350	2168	2563	2349	2777	2530	2990						
HG260/..	257	5	€ 770,80	876,30	981,90	1087,40	1193,00	1298,60	1404,10	1509,80	1615,40	1720,50	1826,50																
	w	784	926	980	1158	1176	1390	1372	1621	1568	1853	1764	2084	1960	2316	2156	2548	2352	2779	2548	3011	2744	3242						
HG280/..	277	5	€ 799,70	908,80	1018,10	1127,20	1236,40	1345,50	1454,80	1563,90	1673,10	1782,30	1891,50																
	w	845	998	1057	1248	1268	1498	1479	1747	1690	1997	1902	2246	2113	2496	2324	2746	2536	2995	2747	3245	2958	3494						

Made-to-measure heights on request

Intermediate or higher values by interpolation, every 10 cm

Δt different from 50 K: consult technical data Brem

E.g.: HG 220/50 - 4el C 1/2" SB 356F

Mod. HGB

On request
without extra



STANDARD PRODUCTION

White "sablé" paintwork with brackets
Tolerance $\pm 3 \text{ mm}$ - Air vent $\varnothing 1/8"$

MAXIMUM OPERATING PRESSURE 4 BAR

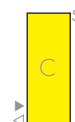
PRODUCTION ON REQUEST

Paintwork to Brem color list (with colored brackets)

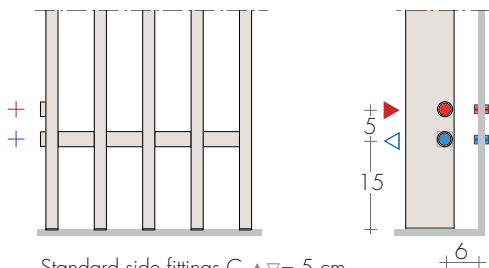
Made-to-measure dimensions, ask for feasibility

STANDARD FITTING

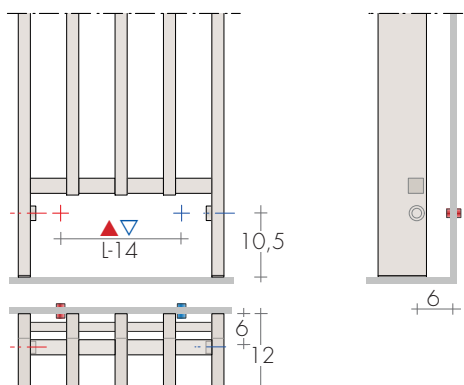
C $\varnothing 1/2"$ - D on request
On request fittings $\varnothing 3/8"$
Special fittings, p.286



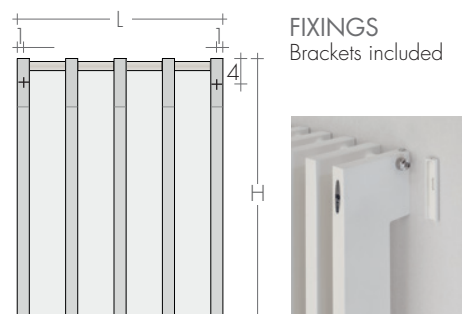
TAPPING CENTRES HG MODEL



Standard side fittings C $\triangle \nabla = 5$ cm
D fitting on request without extra, page 282



ART. HGB REG fittings $\triangle \nabla = L-14$ cm
with angled/reverse valves



FIXINGS
Brackets included



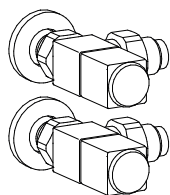
HERG 240-5el

RECOMMENDED VALVES

CHROME PLATED VALVES KIT WITH:

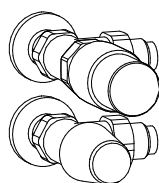
- n°2 Valves with O-ring Tangs
- n°2 Fittings (multilayer $\varnothing 16$, copper $\varnothing 12,14$)
- n°2 Round washers

On request: Polished stainless tube cover
(to be cut to right size) Art. CA18 10,80€



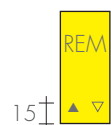
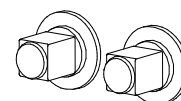
ANGLED QUADRA VALVES KIT
page 279 Art. KQS 156,60€
extra for BREM color list 46,40€

ANGLED MINI VALVES KIT
chrome-plated or white color Art. KMS 107,80€



ANGLED TON VALVES KIT with
THERMOSTATIC head Art. KTS 165,50€
ANGLED TON VALVES KIT
page 277 Art. KVS 119,20€

REMOTE FITTINGS Art. REM 36,60€
at the rear t. c. $\triangle \nabla = (n^\circ \text{el} - 2) \times \text{step}$



REMOTE VALVES ASSEMBLY KIT p.281 with:
- n°2 Fittings (multilayer $\varnothing 16$, copper $\varnothing 12,14$)

REMOTE QUADRA VALVES ASSEMBLY KIT
Art. KQG 167,70€

REMOTE TON VALVES ASSEMBLY KIT with
THERMOSTATIC head Art. KVGT 199,80€