

# HOT

design Fiorenzo Mussi

With its precise linear design, Hot focuses on monochromatic synthesis, using light as

a dynamic element to highlight its name, formed by the letters H and T in relief and by

the play of the heated towel rail that creates the O. HOT is made using a Lamina plate.

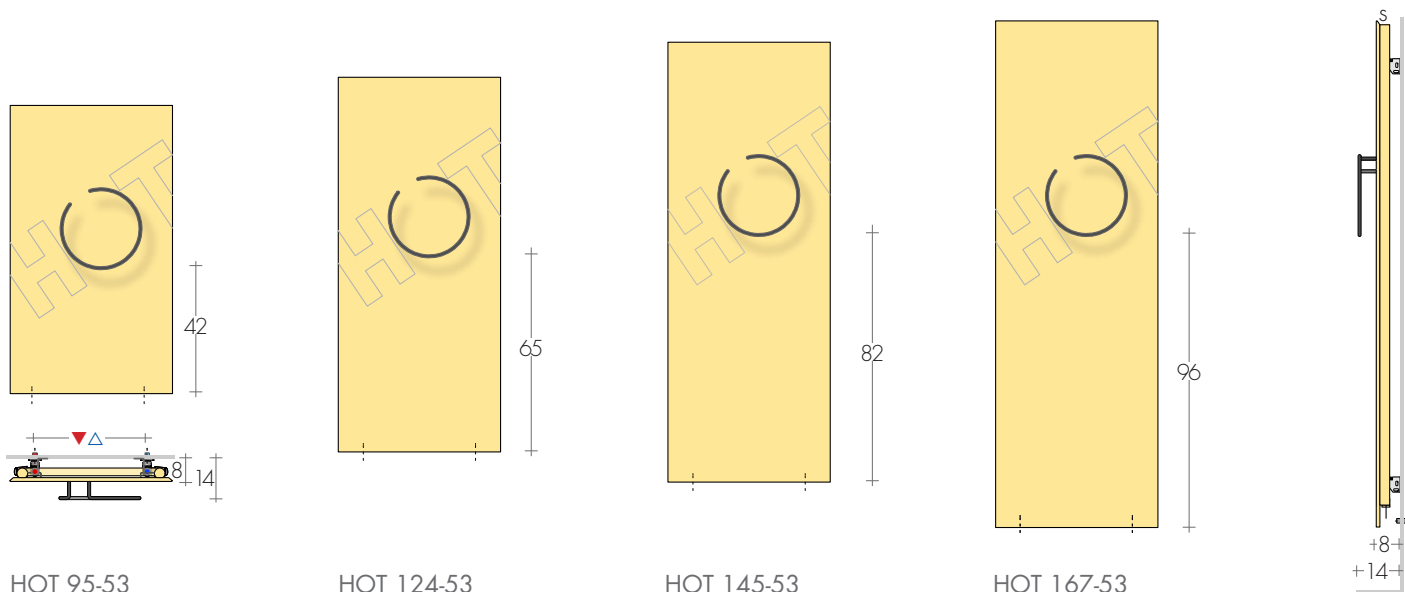
## DIMENSIONS

Length: 53,5 cm

Heights: 95 / 124 / 145 / 167 cm

Depth: 10,5 cm

Depth from wall: 8 / 14 cm



HOT 95-53

HOT 124-53

HOT 145-53

HOT 167-53

MODEL	HL cm	white sablé standard €	EN 442		▲ ▽ t.c. cm	Height H cm	Width L cm	Weight M Kg	Volume V dm³	MIXED version* (EHE cl.II):		
			Δt 50 K watt	Δt 30 K watt						cable <sup>o</sup> €	W W	digital thermostat €
HOT	95-53	757,10	490	252	37	95	53,5	13	4,6	105,60	500	177,20
HOT	124-53	876,10	653	336	37	123,5	53,5	17,3	6,1	107,80	650	179,40
HOT	145-53	948,50	775	398	37	145	53,5	20,6	7,3	112,60	800	184,20
HOT	167-53	1009,00	897	461	37	166,5	53,5	23,8	8,4	116,20	900	187,80

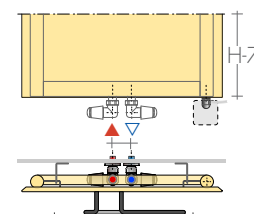
Δt 40K = W Δt 50K x 0,755 \*Radio frequency chronothermostat p.227

## TOWEL BAR HOT: STANDARD COLORS

- metal gold BR 0019
- white sablé SB 9016
- quartz grey sablé SB 7039
- jet black SB 9005
- same color with the radiator

In one paintwork to Brem color list different from the radiato extra 36,10€

MIXED VERSION\*  
with valves in sight  
height = H-7cm  
t.c. = ▲ ▽ 5 cm



## STANDARD PRODUCTION

White "sablé" paintwork - white EOS brackets  
Tolerance ± 3mm - Air vent ø 1/2"  
MAXIMUM OPERATING PRESSURE 6 BAR

## PRODUCTION ON REQUEST

Paintwork to Brem list with colored brackets  
(white back side and manifolds) +15/25%  
Back and manifolds same color as radiator 189€

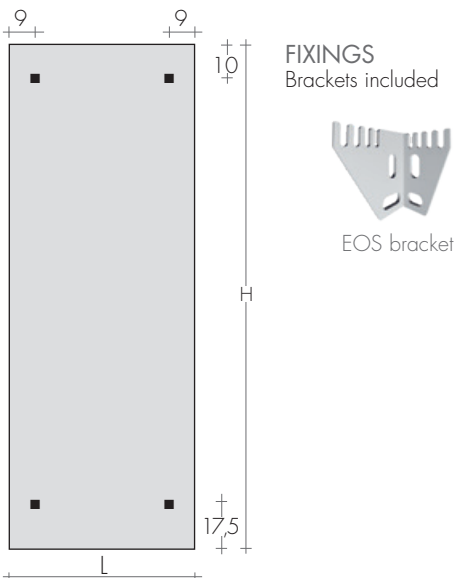
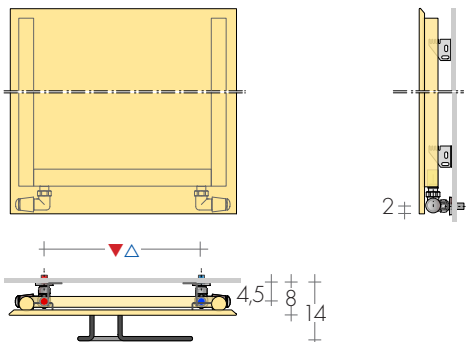
## STANDARD FITTING

EG ø 1/2"  
to use the valves side control  
Electric version, on request



## TAPPING CENTRES

Hidden tappings with side control valves.



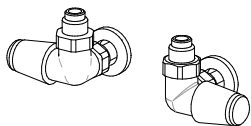
## RECOMMENDED VALVES

standard at the rear of the radiator

### CHROME PLATED VALVES KIT WITH:

- n°2 Valves with O-ring Tangs
- n°2 Fittings (multilayer ø16, copper ø12,14)
- n°2 Round washers

On request: Polished stainless tube cover  
Art. CA18 12,40€

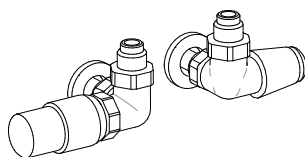


SIDE CONTROL TON VALVES KIT nickel-plated  
chrome-plated handwheel Art. KVLN 105,60€

SIDE CONTROL TON VALVES KIT chrome-plated  
Art. KVL 150,50€

### SIDE CONTROL QUADRA VALVES

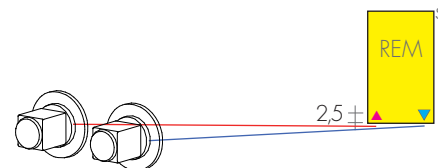
chrome-plated Art. KQL 191,20€  
extra for BREM color list 53,40€



SIDE CONTROL TON VALVES KIT nickel-plated  
with THERMOSTATIC head Art. KTLND 155,30€

SIDE CONTROL TON VALVES KIT chrome-plated  
with THERMOSTATIC head Art. KTLD 203,70€

REMOTE FITTINGS Art. REM 42,10€  
tapping centres (Panel H - 7cm): ▲▽ L-8,5cm



REMOTE VALVES ASSEMBLY KIT with:  
- n°2 Fittings (multilayer ø16, copper ø12,14)

REMOTE QUADRA VALVES ASSEMBLY KIT  
Art. KQG 192,20€

REMOTE TON VALVES ASSEMBLY KIT with  
THERMOSTATIC head Art. KVG 229,80€