

design Luigi Brembilla

KORE is a heated towel rail made using the exclusive flat curved Brem tubes as manifolds, with the addition of small radiating tubes

applied in an original hooking design, with the aim of obtaining high thermal outputs to satisfy the requirements of the bathroom.

The frames only can be additionally enhanced with the application of gilded leaf on BRO019 color and silver leaf on BRO002 color.

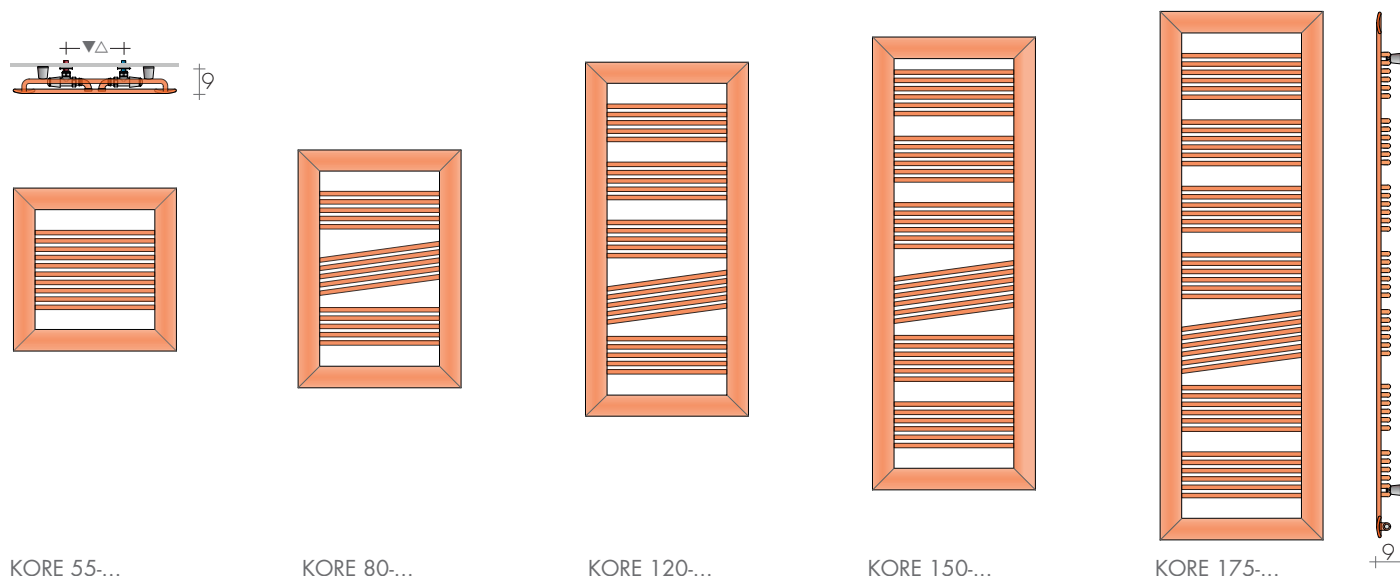
DIMENSIONS

Width 32 / 54 / 64 / 79 cm

Height 54 / 79 / 117 / 153 / 175 cm

Depth 5 cm

Depth from wall 9 cm



MODEL	HxL cm	white sablé	• MODELS with		EN 442 Δt 50 K watt	▲▽ t.c. •cm	Height H cm	Width L cm	Weight M Kg	Volume V dm³	MIXED version (RE cl.II) with manifolds and:			
		standard €	gilded/silver leaf frame KORE.. €	Δt 50 K watt							cable [◊] €	digital thermostat W (cl.II) €		
KORE 55-55	55-55	457,60	KO/KA	907,50	316	19	54	54	2,5	0,8	413	248,40	400	306,10
KORE 55-80	55-80	496,90	KO/KA	974,50	426	19	54	79	3,6	1,1	526	250,30	500	308,00
KORE 80-55	80-55	531,10	KO/KA	1008,70	411	19	79	54	3,2	1,0	538	250,30	500	308,00
KORE 80-80	80-80	609,10	KO/KA	1108,90	554	19	79	79	4,7	1,4	690	252,20	650	309,90
KORE 120-32	120-32	774,50	KO/KA	1296,50	378	19	117	32	3,5	1,1	537	250,30	500	308,00
KORE 120-55	120-55	828,20	KO/KA	1372,50	538	19	117	54	5,6	1,7	709	252,20	650	309,90
KORE 150-32	150-32	923,20	KO/KA	1478,60	453	19	153	32	5,9	1,5	648	252,20	650	309,90
KORE 150-55	150-55	993,70	KO/KA	1571,40	645	19	153	54	7,8	2,4	851	259,50	900	317,20
KORE 175-32	175-32	1071,80	KO/KA	1649,50	528	19	175	32	6,3	1,9	749	256,40	800	314,10
KORE 175-55	175-55	1159,40	KO/KA	1764,90	752	19	175	54	10,1	3,1	988	259,50	900	317,20
KORE 175-65	175-65	1198,70	KO/KA	1840,80	854	19	175	64	11,8	3,6	1096	266,80	1200	324,50
KORE 175-80	175-80	1295,70	KO/KA	1986,30	1006	19	175	79	14,5	4,4	1257	266,80	1200	324,50

• Application of the leaf on the frame of Kore:

- KO gilded leaf frame with BRO019 color for tubes and brackets
- KA silver leaf frame with BRO002 color for tubes and brackets

Δt 40K = W Δt 50K x 0,755

◊ Radio frequency chronothermostat p.227

MINIMUM OPERATING PRESSURE 1,5 BAR
MAXIMUM OPERATING PRESSURE 3 BAR

STANDARD PRODUCTION

White "sablé" paintwork-white SB 9016
brackets white color mod. M4B
Tolerance ± 3 mm - Air vent ø 1/8"

PRODUCTION ON REQUEST

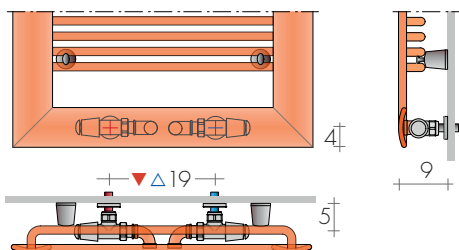
Paint to Brem color list with
chrome-plated M8C brackets +15/25%
Electric version e.Kore, page 251

STANDARD FITTING

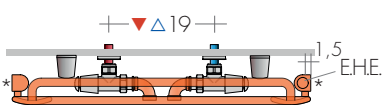
REG ø 1/2"
On request fitting ø 3/8"
Special fittings page 287



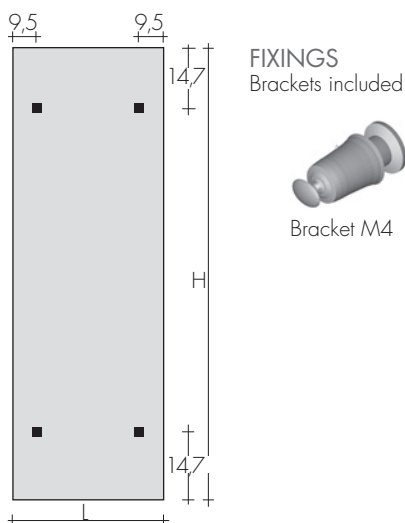
TAPPING CENTRES



MIXED VERSION



*Extra manifolds for electric heating element



FIXINGS
Brackets included



Bracket M4

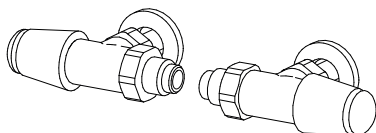
RECOMMENDED VALVES

as standard at the rear of the radiator

CHROME PLATED VALVES KIT WITH:

- n°2 Valves with O-ring Tangs
- n°2 Fittings (multilayer ø16, copper ø12,14)
- n°2 Round washers

On request: Polished stainless tube cover
(to be cut to right size) Art. CA18 10,80€

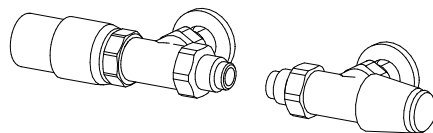


REVERSE TON VALVES KIT
page 277

Art. KVR 119,20€

VALVES IN GILDED/SILVER LEAF FINISH
page 275

extra 170,00€



REVERSE TON VALVES KIT with
THERMOSTATIC head

Art. KTR 165,50€

REMOTE FITTINGS Art. REM 36,60€
tapping centres ▲▼ L - 6cm



3,5 ± ▲▼

REMOTE VALVES ASSEMBLY KIT p. 281 with:
- n°2 Fittings (multilayer ø16, copper ø12,14)

REMOTE TON VALVES ASSEMBLY KIT
Art. KVG 153,60€

REMOTE TON VALVES ASSEMBLY KIT with
THERMOSTATIC head Art. KVG T 199,80€



KORE 120-55