

PIT

design Pietro Facheris

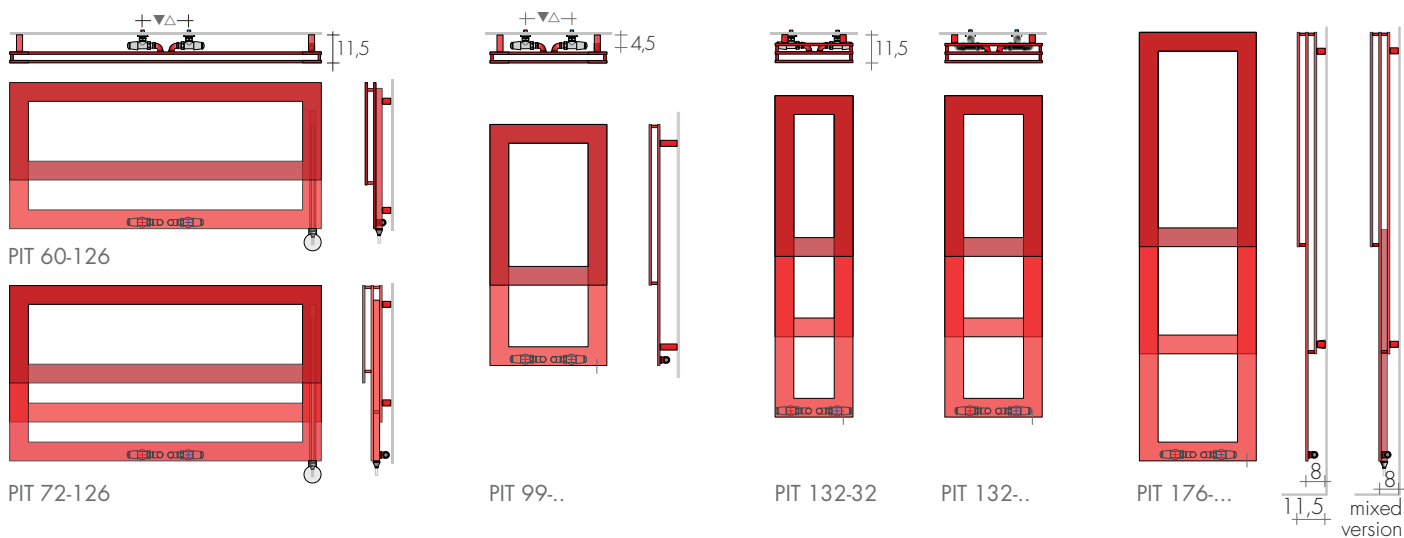
PIT towel heater has an elegant minimalist design, with two or three radiant rectangles,

overlapping each other. Space is optimized by multiplying the heat

output and rectangular sections create three different points of support for towels.

DIMENSIONS:

Width: 32/40/48/56/126 cm
 Height: 60/72/99/132/176 cm
 Depth: 4,5 / 8 cm
 Depths from wall: 11,5 cm



MODEL	HxL cm	Standard white sablé SB9016 €	Δt 50K watt	EN442 Δt 40K watt	Δt 30K watt	▲▼ t.c. cm	Height H cm	Width L cm	Weight M Kg	Volume V dm ³	DUAL FUEL VERSION with E.H.E. and sleeve	
											Watt	€
PIT	60-126	989,30	588	444	310	19	60	126	11,7	3,5	650	213,10
PIT	72-126	1209,80	900	680	474	19	72	126	17,8	5,5	900	221,50
PIT	99-40	688,80	369	279	194	19	99	40	7,7	2,3	400	208,70
PIT	99-48	745,40	403	304	212	19	99	48	8,3	2,5	400	208,70
PIT	132-32	981,10	567	428	298	19	132	32	12,3	3,7	500	210,90
PIT	132-40	1015,40	613	463	323	19	132	40	13,2	4,0	650	213,10
PIT	132-48	1049,40	660	498	347	19	132	48	14,0	4,2	650	213,10
PIT	176-32	1133,30	750	566	395	19	176	32	16,0	4,8	800	217,90
PIT	176-40	1167,50	796	601	419	19	176	40	16,9	5,1	800	217,90
PIT	176-48	1201,80	843	636	444	19	176	48	17,8	5,3	900	221,50
PIT	176-56	1239,80	889	671	468	19	176	56	18,6	5,6	900	221,50

► Ready in stock

Thermostats p.208-209

STANDARD PRODUCTION

White sablé SB 9016 paintwork - Brackets B..
 Tolerance ± 3mm - Air vent ø 1/8"
 MAXIMUM OPERATING PRESSURE 4 BAR

PRODUCTION ON REQUEST

Paintwork to Brem color list with
 colored B.. brackets
 Electric version e.Pit, page 248

+15/25%

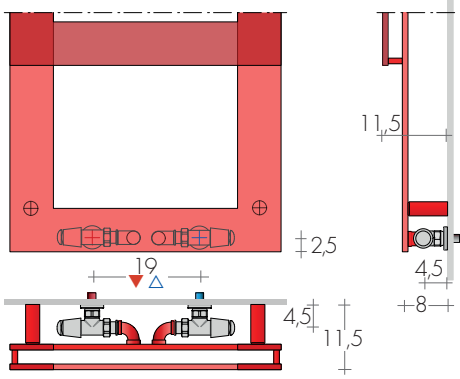
STANDARD FITTING

REG ø 1/2"

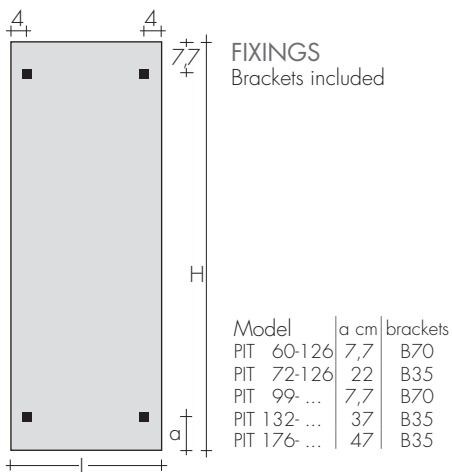
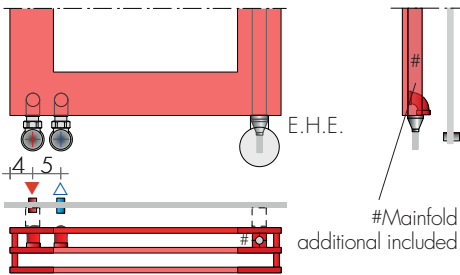
Special fittings, page 279



TAPPING CENTRES



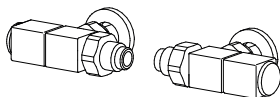
*MIXED VERSIONS vertical models only with EG ▲▽5cm fittings and angled valves



RECOMMENDED VALVES

CHROME VALVES KIT with:

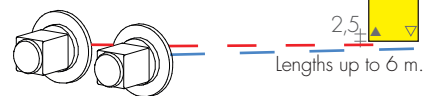
- n°2 Valves with tailpieces
- n°2 Fittings (multilayer ø 16, copper ø 12, 14)
- n°2 Chrome wall plates ø 48, hole ø 16



REVERSE QUADRA VALVES KIT
page 271 Art. KQR
Extra for BREM color list

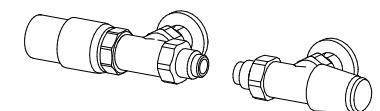


REVERSE CYL VALVES KIT with thermostatic option,
page 273 Art. KCR 149,90€
Extra for BREM color list 53,40€



SPECIAL FINISHES page 267
Finishes Gold, Bronze, Brushed Nickel for 2 valves
Brushed Nickel FITTING KIT extra Art. RN 30,50€

REMOTE FITTINGS Art. REM 42,10€
Tapping centres: at the rear of radiator ▲▽ L - 6cm
DISTANT Valves page 274



REVERSE TON VALVES KIT with THERMOSTATIC
Head page 273 Art. KTR 190,30€