

ELECTRIC HEATING ELEMENT

+10%
PRICE FROM 10.1.2022

The EU 2015/1188 ECODESIGN standard provides that electric towel heaters and radiators, in order to save energy, work with devices equipped with weekly programming, electronic temperature control and open window detector.

BREM uses PTC electric heating element. PTC means "Positive Temperature Coefficient" and characterizes the electrical behaviour of the semiconductor heater segment: with increasing temperature the resistance of the PTC element rises instantaneously and reduces automatically the power output generating the so called "self-limiting" effect.

The class II PTC heating up process will automatically go through three phases:

- Start-up. In the first 60 sec the PTC works at 130% circa of the nominal power ("turbo boost power" effect) to trigger best the convection inside the radiator;
- Nominal power phase. In this phase the PTC heating elements reaches the equilibrium temperature working at the nominal power;
- Energy saving phase. With the increasing of the ambient temperature the power output decreases until a new equilibrium is reached where the power consumption is reduced (typically at 70% - 80% of the nominal power).

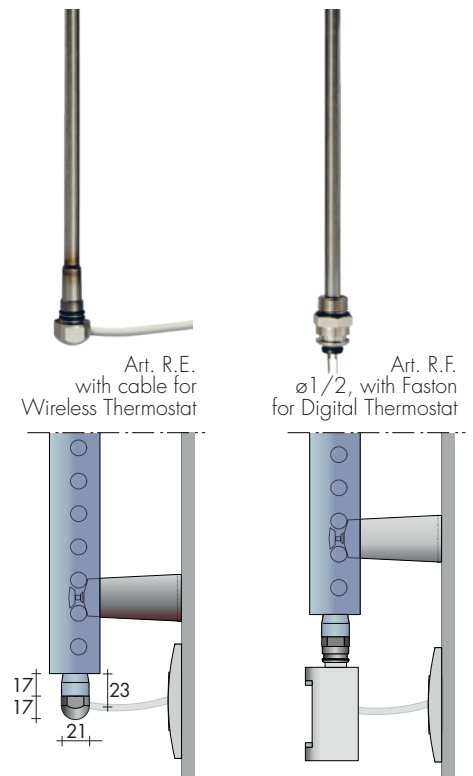
The PTC electric heating elements (CE marked) have the following advantages:

- Intrinsic safety (no risk of overheating, burnings or fire)
- No need of thermofuse and therefore no more burnt heaters also in case of partial filling
- Reduced diameter and length vs constant power heaters (in particular 11 mm diameter also for class II elements)
- No cold lengths (differently from constant power heaters which require not heating zones for the thermostat and the thermofuse)
- Better circulation and faster heat-up times
- Absolutely no noise due to cavitation effects
- Better duration thanks to the reduction of the PTC on/off phases.

1200W and 1500W electric heating elements work using constant power and are equipped with thermal limiter that stops the emission of heat.

R.E. Brem special $\varnothing 3/8"$ stainless steel electric heating element can:

- be angled $\pm 90^\circ$ to provide a better cable direction to the wall or to the electric socket
- be mounted in the $\varnothing 1/2"$ connection with an adapter (possible reduction from $1/2$ to $3/8$)



E.H.E. CLASS II	power	$\varnothing 3/8"$ with cable	$\varnothing 1/2"$ with faston	PRICE
Cl. II Electric Heating Element	250W	Art. R250II	Art. R250IIF	87,90€
Cl. II Electric Heating Element	400W	Art. R400II	Art. R400IIF	89,90€
Cl. II Electric Heating Element	500W	Art. R500II	Art. R500IIF	91,80€
Cl. II Electric Heating Element	650W	Art. R650II	Art. R650IIF	93,70€
Cl. II Electric Heating Element	800W	Art. R800II	Art. R800IIF	97,90€
Cl. II Electric Heating Element	900W	Art. R900II	Art. R900IIF	101,00€
Cl. II Electric Heating Element	*1200W	Art. R1200II	Art. R1200IIF	108,30€
Cl. II Electric Heating Element	*1500W	Art. R1500II	Art. R1500IIF	117,70€

*Electric heating element working with constant power



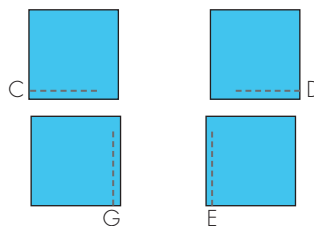
START mixed version

RADIO FREQUENCY CHRONOTHERMOSTAT

with RADIO RECEIVER Apply to Electric heating element with cable (p.229)



Electric Heating Element POSITION
 © Horizontal E.H.E. (on request in D)
 © Vertical E.H.E. (on request in E)
 To verify for each model



WARNINGS

TOWEL HEATERS WITH CLASS II ELECTRIC HEATING ELEMENT CAN BE INSTALLED INSIDE SPACE 2, WITH CABLE INSIDE SPACE 3



ARTICLES FOR MIXED VERSIONS

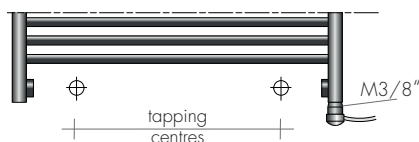
Brem towel heaters complete with electric heating elements are perfect in spring and autumn when the central heating system is switched off.

The application of the electric heating element is thanks to:

- \varnothing 3/8" special sleeve welded on the return tube Art. M38 20,90€
- or \varnothing 1/2" sleeve for digital thermostat Art. M12 20,90€
- chrome plated TR accessory mounted on the return tube Art. TR 20,90€

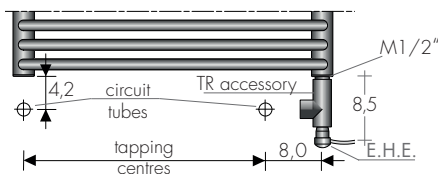
MIXED VERSIONS with SLEEVE

Put the \varnothing 3/8" or \varnothing 1/2" sleeve for the electric heating element on the return manifold



MIXED VERSIONS with TR Accessory

The tapping centres are reduced by 8 cm



Digital chrome-plated Thermostat

MIXED VALVES

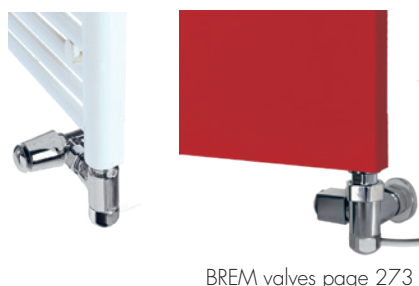
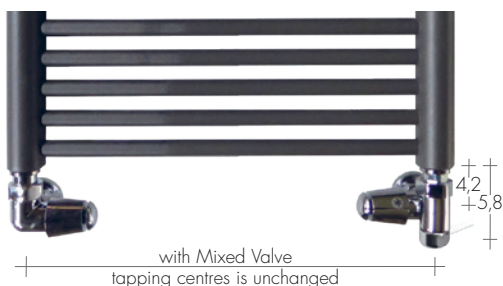
BREM offers a side control valve, complete with a \varnothing 1/2" fitting for the electrical heating element, to be installed on the right manifold of the return.

TON MIXED VALVE with side control, round washer and fitting

	Art.	multilayer	copper
Left (S) side control (delivery)		€	€
TON valve	LS..	57,30	55,30
MIXED right (D) TON valve	LXD..	90,20	88,10
MIXED TON VALVE KIT	KLXD	163,70	

QUADRA MIXED VALVE with side control, round washer and fitting

	Art.	multilayer	copper
Left (S) side control (delivery)		€	€
QUADRA valve	QLS..	81,20	79,30
MIXED (D) QUADRA valve	QLXD..	105,20	103,10
MIXED QUADRA valves KIT	KQLX	196,50	



THERMOSTAT MUSA PLUS

White or chrome-plated digital thermostat with \varnothing 1/2" fitting, 1m cable, external sensor to maintain the desired room temperature and large backlit display, with display of the set temperature (between 15° and 30° C), time, programming and mode/function set. Compliant with ECODESIGN standard.

- Operating: Comfort, Night, Antifreeze, Fil-Pilote, Crono, Boost 2h, Stand-by
- Daily and weekly programming - 6 orders pilot wire
- "Open window detection" function - Antifreeze 7° C
- All modes/functions can be set via TIR remote control (optional, p.228).

7,6x13x4,2 cm

10,8 x 5,3x 2,3 cm

White thermostat
Art. TEB 62,30€



Chr.-plated thermostat
Art. TEC 69,90€



Art. TIR 35,60€
Remote control thermostat



THERMOSTAT STONE RICA Bluetooth SMART

Thermostat STONE RICA controls the ambient temperature by Application from devices such as tablet or smartphone both in Android or iOS operative systems. OLED display with capacitive buttons and RGB leds. Compliant with ECODESIGN standard, with open window detection and integrated WEEKLY program up to 13 temperatures set per day by App, software upgrade, energy consumption and remote diagnostic.

- Boost function, programmable by App - 6 orders pilot wire
- Operating temperature from 0 to 50° C @ 85% humidity

Chrome plated and black finish

Art. TDS 178,20€



CROSS Digital Thermostat



UNI PLATT Quadra MIXED Valve

ELECTRIC KIT

PRICE FROM 10.1.2022 **+10%**

RADIATOR standard white sablé or colored with extra	+	RT KIT +	THERMOSTAT	=	ELECTRIC RADIATOR with chosen finish
		RE KIT +	WIRELESS DEVICES		

RT KIT ELECTRIC HEATING ELEMENT with FASTON

RT KIT with:

- Class II Electric Heating Element (double protection) $\varnothing 1/2"$ with Faston
- Filling with diathermic liquid and test
- Chrome-plated plugs and brackets for wall fixing

RT KIT	cl.II with Electric Heating Element	250W	Art. R250IIT	166,90€
RT KIT	cl.II with Electric Heating Element	400W	Art. R400IIT	170,20€
RT KIT	cl.II with Electric Heating Element	500W	Art. R500IIT	181,30€
RT KIT	cl.II with Electric Heating Element	650W	Art. R650IIT	193,80€
RT KIT	cl.II with Electric Heating Element	800W	Art. R800IIT	209,10€
RT KIT	cl.II with Electric Heating Element	900W	Art. R900IIT	222,00€
RT KIT*	cl.II with Electric Heating Element	1200W	Art. R1200IIT	240,30€
RT KIT*	cl.II with Electric Heating Element	1500W	Art. R1500IIT	259,10€

*Electric heating element working with constant power



DIGITAL THERMOSTAT MUSA Plus

MUSA Plus is a white or chrome-plated digital chronothermostat with Faston, equipped with an external sensor to maintain the desired room temperature and large backlit display, with display of the set temperature (between 15° and 30° C), time, programming and mode/function set; 1m cable. Compliant with ECODESIGN standard.

- Operating: Comfort, Night, Antifreeze, Fil-Pilote, Crono, Boost 2h, Stand-by
- Daily and weekly programming
- "Open window detection" function
- 6 orders pilot wire
- Antifreeze 7° C
- All modes/functions can be set via TIR remote control (optional).

7,6x13x4,2cm



White thermostat
Art. TEB 62,30€



Chrome-plated Thermostat
Art. TEC 69,90€



REMOTE CONTROL THERMOSTAT for MUSA

Infrared remote control with display and support for vertical wall mounting with magnetic coupling; it is equipped with double transmitter, behavioral indicator, open window function and presence sensor. Weekly programming with three time slots.

10,8 x 5,3x 2,3 cm



Art. TIR 35,60€

The EU 2015/1188 ECodesign standard provides that electric towel heaters and radiators, in order to save energy, work with devices equipped with weekly programming, electronic temperature control and open window detector.

THERMOSTAT STONE RICA Bluetooth SMART

STONE RICA is an advanced thermostat to program manually the room temperature directly by the device or by Application from devices such as tablet or smartphone both in Android or iOS operative systems. OLED display with capacitive buttons, RGB leds and 90 cm cable. ECODESIGN EC1275-2008 compliant with open window detection and weekly programming up to 13 daily temperatures by App, Software update, power consumption and remote diagnostic.

- 6 orders pilot wire (Class II only)
- Boost function, programmable by App
- Software update function (by App)
- Statistics on energy consumption (by App)
- Operating temperature from 0 to 50° C @ 85% humidity

Polished chrome and black finish

Art. TDS 178,20€



7,5 x 7,5x 5 cm

APPLICATION
STONE CONNECT BLE
Available on:



RADIATOR standard white or colored	+	RE KIT	+	<table border="1"> <tr> <td>wall-recessed Receiver</td> </tr> <tr> <td>wall-mounted Receiver</td> </tr> </table>	wall-recessed Receiver	wall-mounted Receiver	+	WIRELESS THERMOSTAT	=	ELECTRIC RADIATOR with chosen finish
wall-recessed Receiver										
wall-mounted Receiver										

RE KIT ELECTRIC HEATING ELEMENT whit CABLE

RE KIT with: - Class II Electric Heating Element $\varnothing 1/2''$ with adjustable cable ($\pm 90^\circ$)
- Filling with diathermic liquid and test
- Chrome-plated plugs and brackets for wall fixing

RE KIT	cl.II with Electric Heating Element	250W	Art. R250IIE	166,90€
RE KIT	cl.II with Electric Heating Element	400W	Art. R400IIE	170,20€
RE KIT	cl.II with Electric Heating Element	500W	Art. R500IIE	181,30€
RE KIT	cl.II with Electric Heating Element	650W	Art. R650IIE	193,80€
RE KIT	cl.II with Electric Heating Element	800W	Art. R800IIE	209,10€
RE KIT	cl.II with Electric Heating Element	900W	Art. R900IIE	222,00€
RE KIT*	cl.II with Electric Heating Element	1200W	Art. R1200IIE	240,30€
RE KIT*	cl.II with Electric Heating Element	1500W	Art. R1500IIE	259,10€

*Electric heating element working with constant power



RADIO FREQUENCY RECEIVER wall-recessed

868.3 Mhz radio receiver, connected with the cable to the power grid and to the electric heating element, remotely controlled by the thermostat, it controls the ignition and shutdown of the radiator.



Wall recessed radio frequency receiver
(takes up the space of 2 modules)

Art.RIE 106,70€

Communication between chronothermostat and radio fr. receiver is wireless, by radio transmission

RADIO FREQUENCY RECEIVER wall-mounted

868.3 Mhz radio receiver, connected with the cable to the power grid and to the electric heating element, remotely controlled by the thermostat, it controls the ignition and shutdown of the radiator.



Radio frequency receiver, wall-mounted (for external use)

Art.RIC 121,10€



wall recessed Receiver

NOTE: THE ELECTRIC HEATING ELEMENT MUST BE CONNECTED TO AN ECODESIGN THERMOSTAT

WIRELESS PROGRAMMABLE THERMOSTAT

White wireless programmable thermostat, with batteries, wall-mounted. Wireless transmission through radio waves. It maintains the programmed room temperature through the use of a receiver. The room thermostat also allows daily and weekly programming. Each thermostat can control multiple receivers (up to 12) but each receiver can be controlled by a single thermostat.

Main functions: room temperature regulation (from $+5^\circ\text{C}$, - to $+30^\circ\text{C}$), selection of operating modes (Auto-comfort, Eco, Anti-frost, Prog, Stand-by, BOOST), fast room heating thanks to the Boost forced gear function (instantaneous, programmable and deferred), keypad lock, security settings.

Wireless programmable thermostat ECODESIGN

Art. RHD 118,30€



wall-mounted Radio Fr. Receiver