

# CHROME-PLATED REMOTE VALVES

**+15%**  
PRICE FROM 1.07.2022

## .. hiding valves under the radiator



TON valves

Wall recessed  $\varnothing$  1/2" TON valves assembly, equipped with handles to control remotely the radiator (up to 6m), is supplied with fittings at rear (Art.REM), and round washers.



Thermostatic TON valves

REMOTE TON VALVES ASSEMBLY wall recessed with 2 valves, 2 round washers and 2 fittings	MULTILAYER fittings indicate $\varnothing$ of tube Art. VGM.. 137,40€	COPPER fittings indicate $\varnothing$ of tube Art. VGR.. 135,30€
REMOTE TON VALVES ASSEMBLY with THERMOSTATIC HEAD	Art. VGTM.. 183,60€	Art. VGTR..181,50€

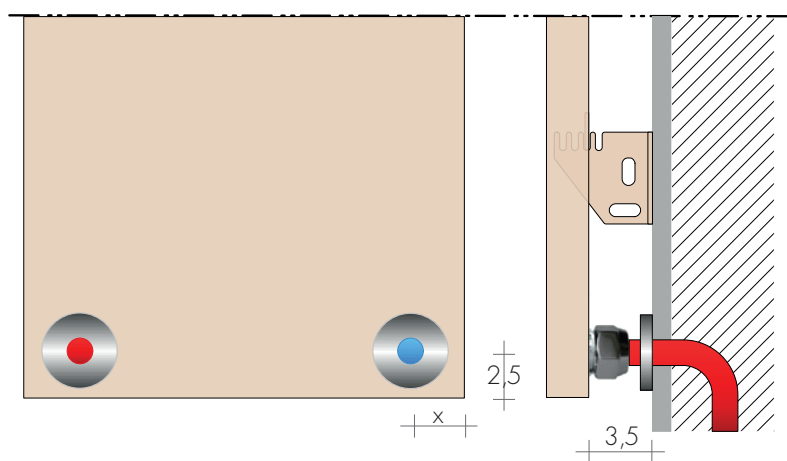


QUADRA valve/lockshield

Wall recessed  $\varnothing$  1/2" QUADRA valves assembly, equipped with handles to control remotely the radiator (up to 6m), is supplied with fittings at rear (Art.REM), and round washers.

REMOTE QUADRA VALVES ASSEMBLY wall recessed with 2 valves, 2 round washers and 2 fittings	MULTILAYER fittings indicate $\varnothing$ of tube Art. QGM.. 151,50€	COPPER fittings indicate $\varnothing$ of tube Art. QGR.. 149,50€
---	--	--

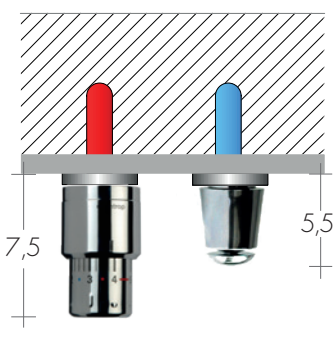
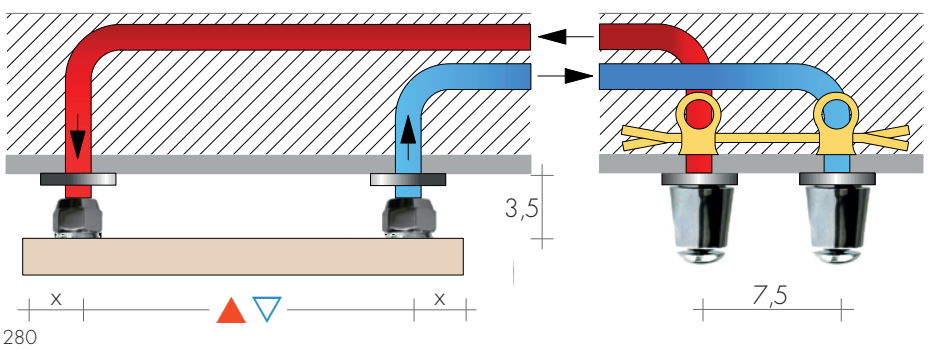
## REMOTE WALL RECESSED VALVES ASSEMBLY with FITTINGS AT REAR OF RADIATOR



REMOTE WALL RECESSED VALVES ASSEMBLY AND SPECIAL FITTINGS 24/19 AT THE REAR OF RADIATOR (up to 6m)



REMOTE TON VALVES ASSEMBLY WITH THERMOSTATIC HEAD

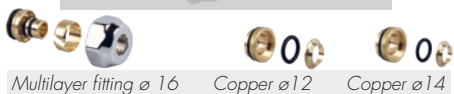


## REMOTE VALVES ASSEMBLY KIT wall recessed



REMOTE TON VALVES ASSEMBLY KIT  
for multilayer tube  $\varnothing$  16 and  
copper tube  $\varnothing$  12/14 mm Art. KVG 153,60€

REMOTE TON VALVES ASSEMBLY KIT with  
THERMOSTATIC head Art. KVGT 199,80€



REMOTE QUADRA VALVES ASSEMBLY KIT  
for multilayer tube  $\varnothing$  16 and  
copper tube  $\varnothing$  12/14 mm Art. KQG 167,70€

## FITTINGS AT THE REAR OF RADIATOR

Brem proposes fittings consisting of threaded sleeves ( $\varnothing$  24 F19) welded on the back of the radiator.

The connection of the system pipes is performed by screwing the fittings directly to the radiator.

Art. REM 36,60€



CLAK 220-45

with remote valves

Distant valves are placed in a barely visible inconspicuous place.

This position must be sensitive to variations of the ambient temperature in case of use of distant valves group with thermostatic head.